

MACHINERY RANGE

Reach stackers

- _ Loads from 10 to 90 t



General load Lift Trucks

- _ Light duty range from 8 to 15 t
- _ Medium duty range from 16 to 25 t
- _ Heavy duty range from 28 to 60 t



Lift Trucks for containers

- _ For laden containers from 32 to 50 t
- _ For unladen containers from 3 to 8 heights
- _ Containers standard handling
- _ Containers longitudinal handling



Spreaders

- _ Telescopic from 20 to 45'
- _ Fixed
- _ Intermodal handling (Piggy- back)



UP LIFTING VERTICAL, S.A.

Ronda de la Industria, Parc 151. Pol. Sepes. 22006
Huesca
Tel. 974 229 832 Fax. 974 242 481
uplifting@gaypu.com

www.uplifting.es

9-4400E-01-16-001-0



TUP 25-1200-S

Forklift for general loads
25 to 35 tonnes



New ways to advance without pause, **step by step...**

TUP 25-1200-S

Forklift for general loads. From 25 t. to 35 t. 1200 mm load centre

Dimensions (mm)

OVERALL

Length L_1	7100
Distance between axles D	5200
Distance between wheels:	
_Centres of front axle A_1	2650
_Centre of back axle A_2	2450
Total width A_3	2750
Truck height h_1	3250
Seat height h_2	2450
Height of cab at max. side shift	4050
Width of cab at max. side shift	3750
Distance of the load x	1175
Load centre d	1200

MAST

Minimum height	3300
Maximum height h_4	6500
Height lift triple h_5	4800
Height lift special triple h_6	1600
Tilt angle	
_Forwards &	5°
_Backwards β	10°

FORKS

Thickness e	110
Width A_4	300
Length L_2	2400
Max distance between forks D_1	2250
Min distance between forks D_2	940
Maximum side-shift	500

TURNING RADIUS

Outer R_1	6600
Inner R_2	750

Environment

- _ Lowering toxic emissions engine in accordance with Stage IV/Tier 4f.
- _ The use of high elasticity steel ensures the diminution of harmful emissions to the environment.
- _ Stage II/Tier 2 or Stage IIIA/Tier 3 engines for non-regulated regions which do not belong to the EU.

Toughness

- _ Large sections made of high strength steel.
- _ Critical resistant elements get a visual and a controlled testing inspection once welded.
- _ A latest generation welding robot is used for welding.

Weights

TUP 25-1200	Unladen
Front axle	17.0 t
Rear axle	17.5 t
Total	34.5 t

Tyres

	Front	Rear
Number	2	2
Dimensions	(18.00x35)	(18.00x35)

Electronic control system

- _ 3.5" transfective TFT master color display
- _ Engine, transmission and satellite modules control
- _ External GSM modem
- _ Large internal memory for events and logging
- _ Instantaneous display of warnings

Transmission

Manufacturer	ZF
Model	3WG211

Steering

Hydraulic

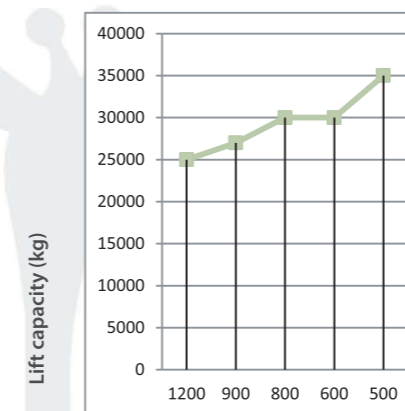
Drive axle

Manufacturer	KESSELER
Model	D91PL408-NLB

Drawbar pull

Maximum	160
Maximum 2 km laden	122

Load diagram



Distance to centre of load (mm) from the surface of the fork.
The lift capacity is with vertical mast.

Engine

Manufacturer	VOLVO
Model	TAD 871 VE
Power (ISO 3046/2534)	185 kw
Torque	1160 N m
	1000 - 1400 rpm
Speed	2200 rpm
Cylinders	6
Displacement	7,7 L

Speeds

TUP 25-1200	Unladen	Laden
Travel	25 km/h	23 km/h
Lifting	0.27 m/s	0.25 m/s
Lowering	0.30 m/s	0.30 m/s

Brakes

Service brake	Oil bath disc brake. No maintenance is needed
Parking brake	Disc brake. Spring applied and hydraulic released.

Starter battery

Tension	2x12 V
Capacity	165 Ah

Gradeability

	2 km/h	0 km/h
Laden	18	23

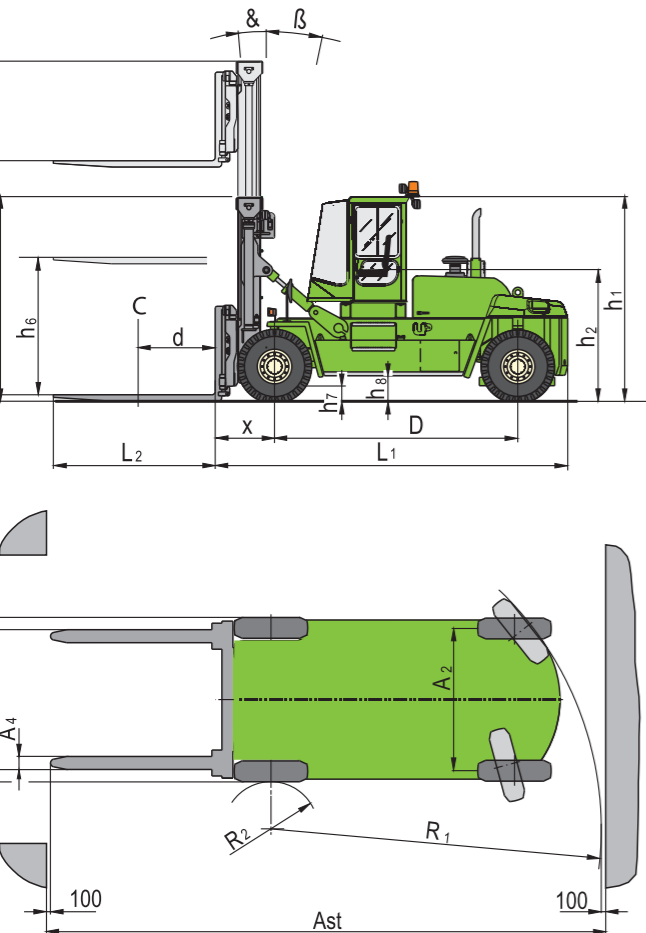
Noise level

Cab	77 dB
-----	-------

Optional equipment

- _ Automatic lubrication system.
- _ Cameras system.
- _ Tyre pressure control system.
- _ Fire suppression system
- _ Fleet vehicle management (electronic control system)
- _ Air-conditioner system
- _ 2 or 3 stage mast with/without free lifting.
- _ Wide range of adjustable carriages for each feature.
- _ Integrated ram for coils or quick assembly
- _ Forks for ISO container dimensions
- _ 20' and 40' fixed spreader

Load (kg)	25000	27000	30000	30000	35000
Distance (mm)	1200	900	800	600	500
Load in the front axle (kg)	54115	55527	59231	58077	64250
Load per wheel (kg)	27058	27763	29615	29038	32125
Maximum speed (km/h)	20	10	5	5	3
Stability	1,44	1,52	1,43	1,53	1,39



GROUND CLEARANCE

Under Lift-frame H_7	280
At centre of distances between axles H_8	460

Cab

- _ Excellent visibility all around: ISO/DIS 13564-1
- _ Operator's seat with air suspension
- _ Tinted safety glass
- _ Laterally reclining
- _ Tilting steering column
- _ Sound proofing ISO/TS 3691 - 7:2011
- _ Easy accessibility
- _ Joystick which controls mast and accessories.

Safety

- _ Safety-glass is used in the whole machine.
- _ Functions control by electronic system.
- _ Seat belt is incorporated.
- _ Non-slip steps to get the cabin.