



Spreaders

Forklifts



New ways to advance without pause, **step by step...**

SPREADERS for Forklifts

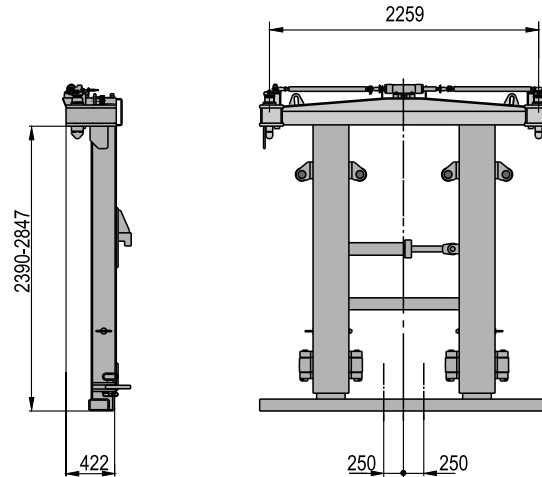
Uplifting spreaders for different types of Forklifts

FSEUP 8-A

Fixed Spreader for empty containers.
Longitudinal loads

Fixed Spreader for empty containers 8 feet long. It is suitable for empty containers forklifts which handle longitudinal loads.

_ Uplifting model	FSEUP 8-A
_ Classification	DIN 15018, H2B4
_ Load capacity	6 t
_ Weight	1500 kg
_ Container length	8'
_ Twistlocks	ISO oscillating
_ Side-shift	+/-600 mm
_ Hydraulic height control	From 8' to 9.5'

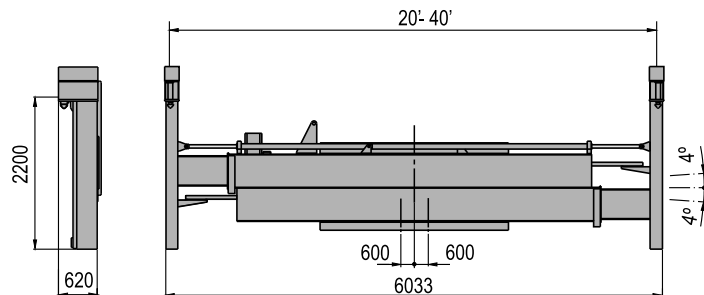


TSEUP 24-B

Telescopic Spreader for empty containers.
Transversal loads

Telescopic Spreader for empty containers from 20 to 40 feet long. It is suitable for empty containers forklifts which handle transversal loads.

_ Uplifting model	TSEUP 24-B
_ Classification	DIN 15018, H2B4
_ Load capacity	10 t
_ Weight	3550 kg
_ Container length	20-30-40'
_ Twistlocks	ISO oscillating
_ Transverse oscillation	+/-4°
_ Side-shift	+/-600 mm
_ Telescoping time 20-40'	20 seconds



FSUP 20-A

Fixed Spreader for laden containers.

Fixed Spreader for laden containers 20 feet long. It is suitable for forklifts for general load from 25 t.

_ Uplifting model	FSUP 20-A
_ Classification	DIN 15018, H2B4
_ Load capacity	25 t
_ Weight	2400 kg
_ Hooks' capacity	4x5 t
_ Container length	20'
_ Twistlocks	ISO oscillating
_ Transverse oscillation	+/-4°

FSUP 40-A

Fixed Spreader for laden containers.

Fixed Spreader for laden containers 40 feet long. It is suitable for forklifts for general load from 25 t.

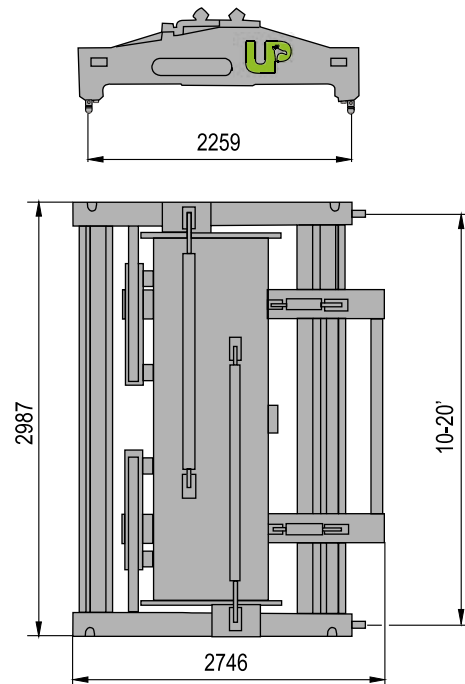
_ Uplifting model	FSUP 40-A
_ Classification	DIN 15018, H2B4
_ Load capacity	30 t
_ Weight	4600 kg
_ Hooks' capacity	4x5 t
_ Container length	40'
_ Twistlocks	ISO oscillating
_ Transverse oscillation	+/-4°

TSUP 12-A

Telescopic Spreader for laden containers.

Telescopic Spreader for laden containers from 10 to 20 feet long. It is suitable for forklifts which handle laden containers.

_ Uplifting model	TSUP 12-A
_ Classification	DIN 15018, H2B4
_ Load capacity	15 t
_ Weight	3100 kg
_ Container length	10, 20'
_ Twistlocks	ISO oscillating
_ Rotation	+/-5°
_ Transverse oscillation	+/-4°
_ Forward-shift	+/-200 mm

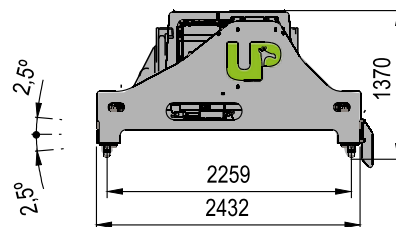
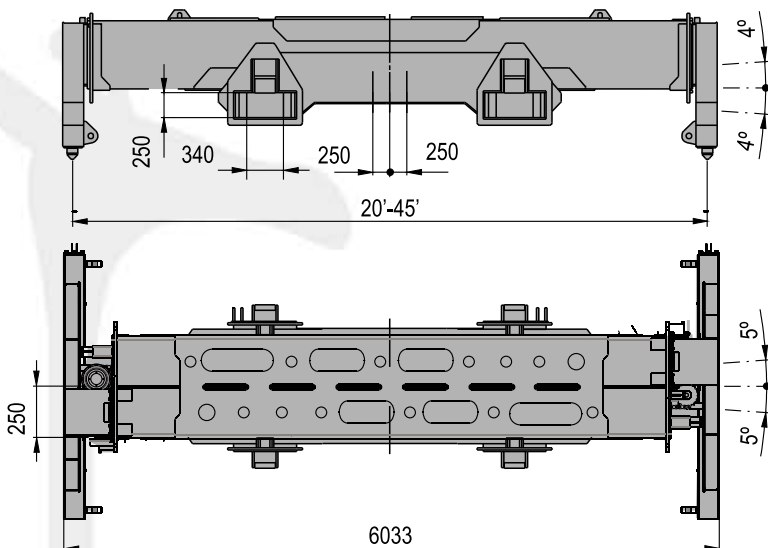


TSUP 245-C

Telescopic Spreader for laden containers.

Telescopic Spreader for laden containers from 20 to 45 feet long. It is suitable for forklifts which handle laden containers.

_ Uplifting model	TSEUP 245-C
_ Classification	DIN 15018, H2B4
_ Load capacity	45 t
_ Weight	7300 kg
_ Hooks' capacity	4x10t
_ Container length	20-30-40-45'
_ Twistlocks	ISO oscillating
_ Rotation	+/-5°
_ Transverse oscillation	+/-4°
_ Side-shift	+/-250 mm
_ Forward shift	+/-250 mm
_ Telescoping time 20-45'	14 seconds



MACHINERY RANGE

Reach stackers

- _ Loads from 10 to 90 t



General load Lift Trucks

- _ Light duty range from 8 to 15 t
- _ Medium duty range from 16 to 25 t
- _ Heavy duty range from 28 to 60 t



Lift Trucks for containers

- _ For laden containers from 32 to 50 t
- _ For unladen containers from 3 to 8 heights
- _ Containers standard handling
- _ Containers longitudinal handling



Spreaders

- _ Telescopic from 20 to 45'
- _ Fixed
- _ Intermodal handling (Piggy- back)



UP LIFTING VERTICAL, S.A.

Ronda de la Industria, Parc 151, Pol. Sepes, 22006
Huesca
Tel. 974 229 832 Fax. 974 242 481
uplifting@gaypu.com

www.uplifting.es

9-4600E-01-14-002-0